

PRINT COLOUR				
CYAN	MAGENTA	YELLOW	BLACK	
C100 M0 Y0 K0	C0 M100 Y0 K0	C0 M0 Y100 K0	C0 M0 Y0 K100	

PRODUCT	Rev.
SOHO INSTRUCTION LEAFLET	3

APPROVAL (SIGN AND DATE)

CUSTOMER	SWISH
L CODE	7568L-SOH-01
DIMENSIONS	720(120x6)X170MM

DO NOT PRINT REFERENCE ONLY

CUT LINE: _____

FOLD LINE: - - - - -

CHECKING COLOUR

SOHO



SOHO the collection...

Soho strikes the perfect balance between form and function as cool metal finishes contrast with sleek woodgrain effects to create an extraordinary expression of contemporary living.

Make your mark as five fascinatingly different poles perfectly complement each of the four stunning accessory colours letting you create your own style. The carbon black of Vamp, paired with rose gold instantly creates a sense of luxury. In comparison to this bold contrast, the washed lines of Jazz embraced with satin steel accessories take on a more subtle approach to luxe - giving you the creative freedom to choose your interior style.

Soho embodies a boldness of spirit with an air of seduction and sophistication in an enticingly captivating display of Urban Luxe.



Swish

We are proud of our heritage and the resulting reassurance our customers feel when they buy a Swish product. Our strong foundations built on a solid reputation for quality and innovation are as important now as they've always been. Every Swish product is designed for how we live and how today's homes reflect who we are.

Here at Swish, we understand the challenges of window styling and the part it plays within your interior design. Our experience brings knowledge and when married with our

talented team of designers, that's when you achieve the product portfolios that you have come to expect from us.

Whatever your style, from the contemporary glamour of Soho to the timeless charm of Romantica, be it curtain poles or track, any of our cordless blinds from award winning venetians to ground-breaking rollers, you're guaranteed to find the right product for you.

Swish
Every Window. Every Home.

SOHO

SOHO the collection...

Soho strikes the perfect balance between form and function as cool metal finishes contrast with sleek woodgrain effects to create an extraordinary expression of contemporary living.

Make your mark as five fascinatingly different poles perfectly complement each of the four stunning accessory colours letting you create your own style. The carbon black of Vamp, paired with rose gold instantly creates a sense of luxury. In comparison to this bold contrast, the washed lines of Jazz embraced with satin steel accessories take on a more subtle approach to luxe - giving you the creative freedom to choose your interior style.

Soho embodies a boldness of spirit with an air of seduction and sophistication in an enticingly captivating display of Urban Luxe.



Swish

We are proud of our heritage and the resulting reassurance our customers feel when they buy a Swish product. Our strong foundations built on a solid reputation for quality and innovation are as important now as they've always been. Every Swish product is designed for how we live and how today's homes reflect who we are.

Here at Swish, we understand the challenges of window styling and the part it plays within your interior design. Our experience brings knowledge and when married with our

talented team of designers, that's when you achieve the product portfolios that you have come to expect from us.

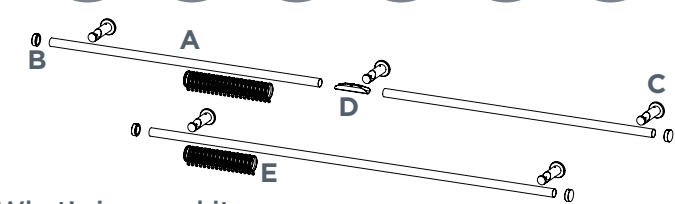
Whatever your style, from the contemporary glamour of Soho to the timeless charm of Romantica, be it curtain poles or track, any of our cordless blinds from award winning venetians to ground-breaking rollers, you're guaranteed to find the right product for you.

Swish
Every Window. Every Home.

Fitting Instructions

Before you start, please read these instructions carefully and check the contents of your pack. Please ensure your pole is the right size, ideally, the poles should be 40cm longer than the length of your window, 20cm longer on each side.

What you'll need:



What's in your kit:

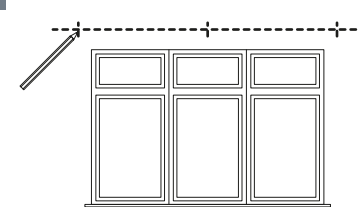
	Up to 180cm	Over 180cm
A Pole	1	2
B Finials	2	2
C Brackets	2	3
D Joining Piece	0	1
E Rings	1 ring per 10cm of pole (no rings supplied with the Eyelet pole kit)	

Should any component be missing, please call the Customer Care Department on 0330 005 2233.

Safety Recommendation

Always use a step ladder when working at height. DO NOT over reach. Always move the step ladder so that you are in a safe working position. DO NOT hold or lean on the pole to support your weight. We recommend you use two people for the installation of larger poles. Take care when using power tools, use of a Residual Current Device (RCD) is recommended. Always use eye protection when drilling. Beware of hidden pipe runs and cables. No liability will be accepted for damage or injury caused by incorrectly installed or assembled product. **PLEASE KEEP OUT OF THE REACH OF YOUNG CHILDREN. SMALL PARTS ARE A CHOKING HAZARD. PLEASE KEEP THESE INSTRUCTIONS AND THE BATCH CODE ON THE PACKAGING FOR FUTURE REFERENCE.**

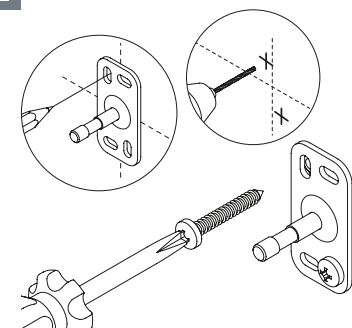
1 Installing the pole



Mark a light horizontal line 10cm to 20cm above the window to represent where your pole is going to sit. On your line, mark the end bracket positions 10cm from each side of the window. Mark the centre bracket at the mid-point of the window if necessary.

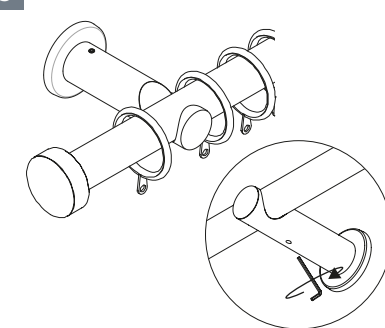
Note: The centre bracket is only required for poles longer than 180cm where two poles are joined together.

2



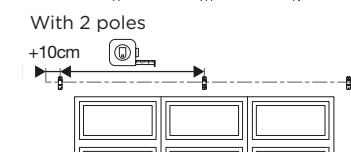
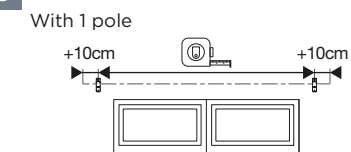
On your horizontal line mark the bracket positions using the back plate as a guide. Drill the holes and secure the back plate with the appropriate fixings, if unsure consult your local DIY store.

5



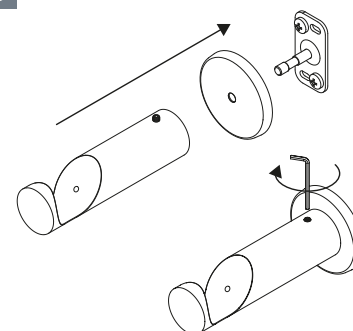
Place the pole on the brackets with the last ring on each side between the finial and end bracket. Finish by tightening the grub screws to ensure your pole is secure.

6 Cutting or joining the pole



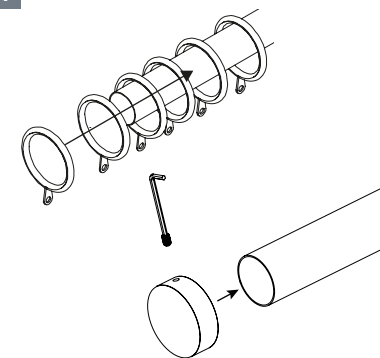
Measure the poles as shown above. If you have two poles, repeat the measurement on both sides of the window. Poles can be cut down to shorten their length. Both poles should be of equal length so that they meet in the centre.

3



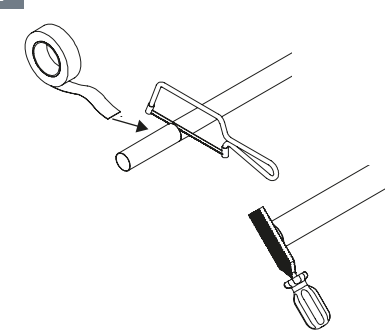
Assemble the brackets, push onto the back plates and secure by tightening the grub screw.

4



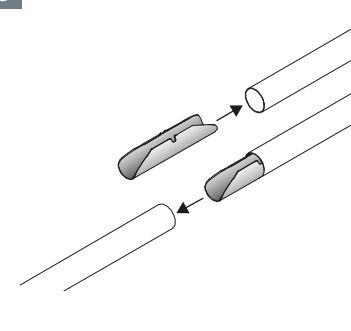
Slide the rings on to the pole. Secure the finial on to the end of the pole by tightening the grub screw.

7



If cutting down, when you are certain your measurements are correct, mark the pole and cut. Wrap masking tape around the pole to avoid damage. File any sharp edges.

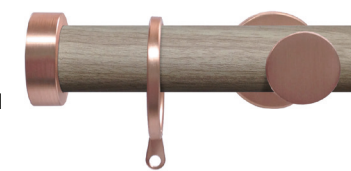
8



If joining 2 poles together, use the joining piece provided ensuring that it fits **INSIDE** the poles. The poles must be joined in the centre and supported by the centre bracket.

Also available from Soho...

Chic Rose Gold



Jazz Chrome



Minx Satin Steel



Funk Chrome



Vamp Brushed Gold



Customise your look with our studs, rings and brackets. All are available in: Brushed Gold, Rose Gold, Chrome and Satin Steel. Each pole also available as an eyelet.

Also available from Swish...

From wooden poles to aluminium track and our award winning cordless blinds, there is a solution from Swish.

- Romantica
- Forever Autumn
- Naturals
- Design Studio
- Elements
- Cordless Roller Blinds
- Cordless Cellular Blinds
- Cordless Venetian Blinds
- Tiebacks
- Track

Explore our ranges in full on our website and social media platforms.

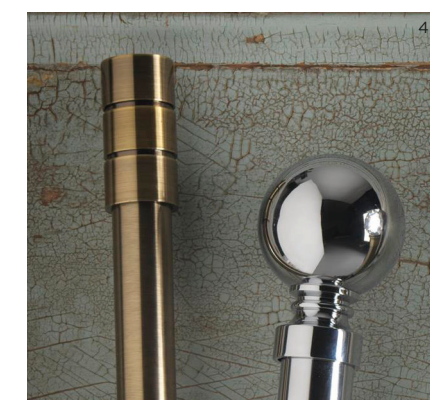
www.swish.co.uk

facebook.com/swish_UK

[swish_UK](https://pinterest.com/swish_UK)

[@OfficialSwish_UK](https://instagram.com/OfficialSwish_UK)

1. Swish Supreme Glide Aluminium Track kit
2. Swish Cordless Venetian blind in Brushed Aluminium
3. Swish Elements Curzon pole kit in Satin Steel
4. Swish Elements pole kits, Brooklyn in Antique Brass & Belgravia in Chrome
5. Swish Cordless Roller blind in Slate

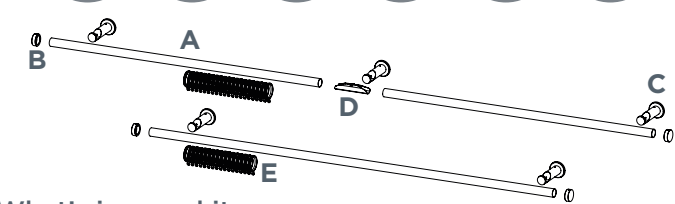


Swish®

Fitting Instructions

Before you start, please read these instructions carefully and check the contents of your pack. Please ensure your pole is the right size, ideally, the poles should be 40cm longer than the length of your window, 20cm longer on each side.

What you'll need:



What's in your kit:

	Up to 180cm	Over 180cm
A Pole	1	2
B Finials	2	2
C Brackets	2	3
D Joining Piece	0	1
E Rings	1 ring per 10cm of pole (no rings supplied with the Eyelet pole kit)	

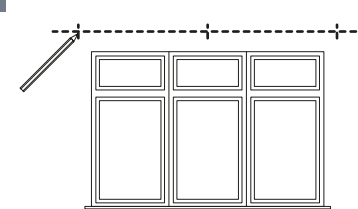
Should any component be missing, please call the Customer Care Department on 0330 005 2233.

Safety Recommendation

Always use a step ladder when working at height. DO NOT over reach. Always move the step ladder so that you are in a safe working position. DO NOT hold or lean on the pole to support your weight. We recommend you use two people for the installation of larger poles. Take care when using power tools, use of a Residual Current Device (RCD) is recommended. Always use eye protection when drilling. Beware of hidden pipe runs and cables.

No liability will be accepted for damage or injury caused by incorrectly installed or assembled product. **PLEASE KEEP OUT OF THE REACH OF YOUNG CHILDREN. SMALL PARTS ARE A CHOKING HAZARD. PLEASE KEEP THESE INSTRUCTIONS AND THE BATCH CODE ON THE PACKAGING FOR FUTURE REFERENCE.**

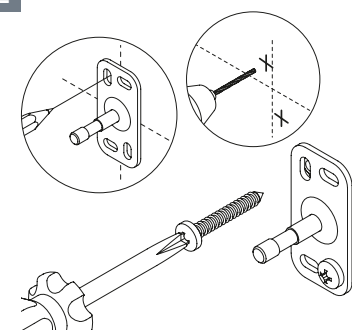
1 Installing the pole



Mark a light horizontal line 10cm to 20cm above the window to represent where your pole is going to sit. On your line, mark the end bracket positions 10cm from each side of the window. Mark the centre bracket at the mid-point of the window if necessary.

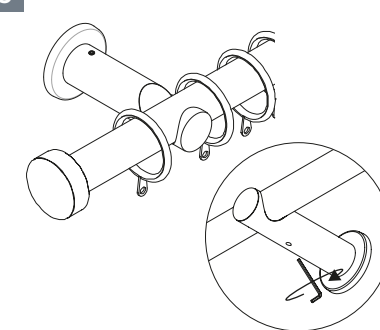
Note: The centre bracket is only required for poles longer than 180cm where two poles are joined together.

2



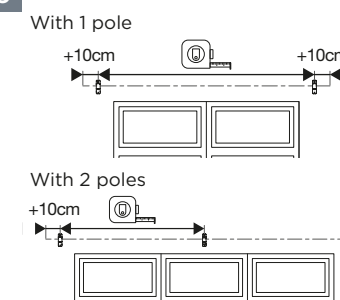
On your horizontal line mark the bracket positions using the back plate as a guide. Drill the holes and secure the back plate with the appropriate fixings, if unsure consult your local DIY store.

5



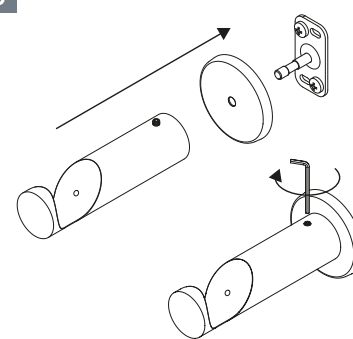
Place the pole on the brackets with the last ring on each side between the finial and end bracket. Finish by tightening the grub screws to ensure your pole is secure.

6 Cutting or joining the pole



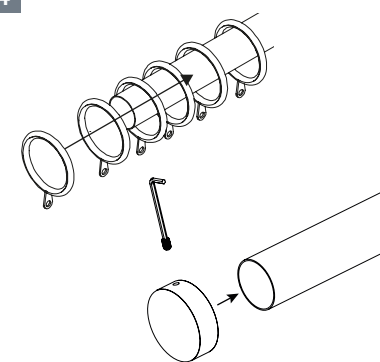
Measure the poles as shown above. If you have two poles, repeat the measurement on both sides of the window. Poles can be cut down to shorten their length. Both poles should be of equal length so that they meet in the centre.

3



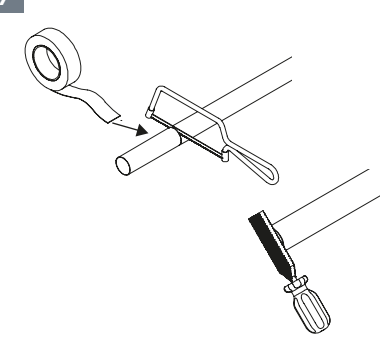
Assemble the brackets, push onto the back plates and secure by tightening the grub screw.

4



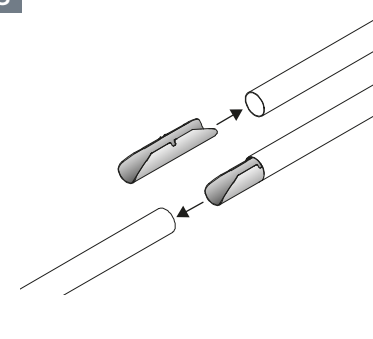
Slide the rings on to the pole. Secure the finial on to the end of the pole by tightening the grub screw.

7



If cutting down, when you are certain your measurements are correct, mark the pole and cut. Wrap masking tape around the pole to avoid damage. File any sharp edges.

8



If joining 2 poles together, use the joining piece provided ensuring that it fits **INSIDE** the poles. The poles must be joined in the centre and supported by the centre bracket.

Also available from Soho...

Chic Rose Gold

Jazz Chrome

Minx Satin Steel

Funk Chrome

Vamp Brushed Gold

Also available from Swish...

From wooden poles to aluminium track and our award winning cordless blinds, there is a solution from Swish.

- Romantica
- Forever Autumn
- Naturals
- Design Studio
- Elements
- Cordless Roller Blinds
- Cordless Cellular Blinds
- Cordless Venetian Blinds
- Tiebacks
- Track

Explore our ranges in full on our website and social media platforms.

www.swish.co.uk

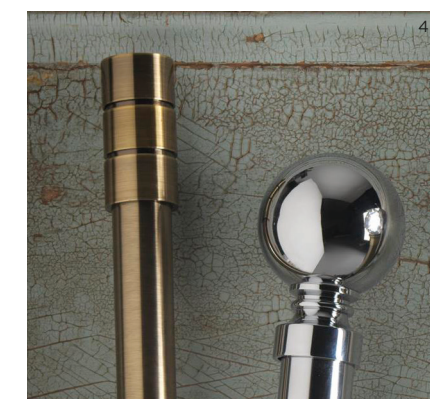
facebook.com/swish_UK

[swish_UK](https://pinterest.com/swish_UK)

[@OfficialSwish_UK](https://instagram.com/OfficialSwish_UK)

1. Swish Supreme Glide Aluminium Track kit
2. Swish Cordless Venetian blind in Brushed Aluminium
3. Swish Elements Curzon pole kit in Satin Steel
4. Swish Elements pole kits, Brooklyn in Antique Brass & Belgravia in Chrome
5. Swish Cordless Roller blind in Slate

Customise your look with our studs, rings and brackets. All are available in: Brushed Gold, Rose Gold, Chrome and Satin Steel. Each pole also available as an eyelet.



Swish®

