

PRINT COLOUR				
	CYAN C100 M0 Y0 K0	MAGENTA C0 M100 Y0 K0	YELLOW C0 M0 Y100 K0	BLACK C0 M0 Y0 K100

PRODUCT	FOREVER AUTUMN INSTRUCTION LEAFLET	Rev.	3
---------	------------------------------------	------	---

CUSTOMER	SWISH
L CODE	7568L-AUT-01
DIMENSIONS	720(120x6)X170MM

DO NOT PRINT REFERENCE ONLY

CUT LINE:

FOLD LINE:

CHECKING COLOUR

APPROVAL (SIGN AND DATE)
--------------------------



## FOREVER Autumn

### Forever Autumn the collection...

There's nothing quite as beautiful as an autumn day, the transition between long summer sunshine and the cold crispness of winter. The organic rawness of the world around us and the tactile warmth of the season bring nostalgic comforts of childhood. The rustic yet refined aesthetic is reminiscent of pumpkin pie and cosy chats by the fireside, snuggled up with spicy mulled wine enjoyed in the sanctuary of home.

These solid ash curtain poles elegantly showcase the wood's naturally crafted grain awakening the senses through sights and smells, a parade of fallen fruit for apple crumble washed down with a warming hot cocoa. Like cinder toffee on bonfire night, Forever Autumn welcomes Mother Nature's bounty, evoking warmth and comfort through this stunning yet soothing interior design style.



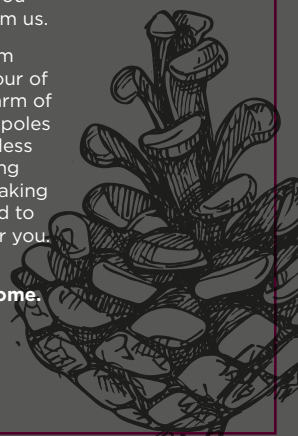
We are proud of our heritage and the resulting reassurance our customers feel when they buy a Swish product. Our strong foundations built on a solid reputation for quality and innovation are as important now as they've always been. Every Swish product is designed for how we live and how today's homes reflect who we are.

Here at Swish, we understand the challenges of window styling and the part it plays within your interior design. Our experience brings knowledge and when married with our

talented team of designers, that's when you achieve the product portfolios that you have come to expect from us.

Whatever your style, from the contemporary glamour of Soho to the timeless charm of Romantica, be it curtain poles or track, any of our cordless blinds from award winning venetians to ground-breaking rollers, you're guaranteed to find the right product for you.

**Swish**  
Every Window. Every Home.



# FOREVER *Autumn*

## Forever Autumn the collection...

There's nothing quite as beautiful as an autumn day, the transition between long summer sunshine and the cold crispness of winter. The organic rawness of the world around us and the tactile warmth of the season bring nostalgic comforts of childhood. The rustic yet refined aesthetic is reminiscent of pumpkin pie and cosy chats by the fireside, snuggled up with spicy mulled wine enjoyed in the sanctuary of home.

These solid ash curtain poles elegantly showcase the wood's naturally crafted grain awakening the senses through sights and smells, a parade of fallen fruit for apple crumble washed down with a warming hot cocoa. Like cinder toffee on bonfire night, Forever Autumn welcomes Mother Nature's bounty, evoking warmth and comfort through this stunning yet soothing interior design style.



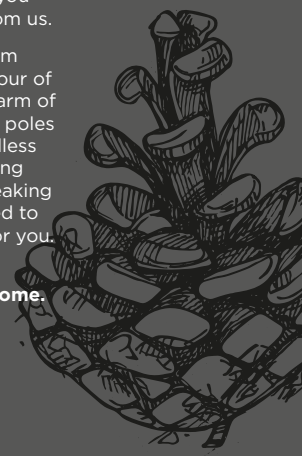
We are proud of our heritage and the resulting reassurance our customers feel when they buy a Swish product. Our strong foundations built on a solid reputation for quality and innovation are as important now as they've always been. Every Swish product is designed for how we live and how today's homes reflect who we are.

Here at Swish, we understand the challenges of window styling and the part it plays within your interior design. Our experience brings knowledge and when married with our

talented team of designers, that's when you achieve the product portfolios that you have come to expect from us.

Whatever your style, from the contemporary glamour of Soho to the timeless charm of Romantica, be it curtain poles or track, any of our cordless blinds from award winning venetians to ground-breaking rollers, you're guaranteed to find the right product for you.

**Swish**  
Every Window. Every Home.

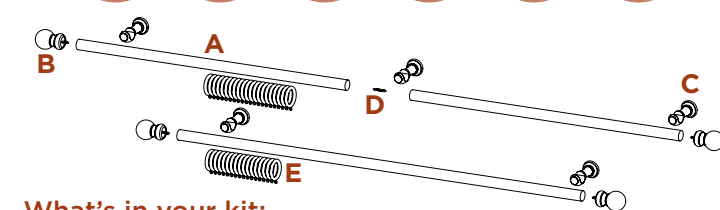




## Fitting Instructions

Before you start, please read these instructions carefully and check the contents of your pack. Please ensure your pole is the right size, ideally, the poles should be 40cm longer than the length of your window, 20cm longer on each side.

### What you'll need:



### What's in your kit:

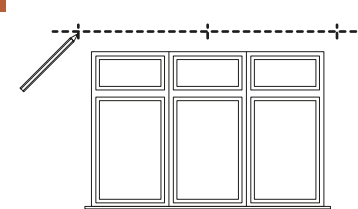
	Up to 180cm	Over 180cm
<b>A</b> Pole	1	2
<b>B</b> Finials	2	2
<b>C</b> Brackets	2	3
<b>D</b> Joining Screw	0	1
<b>E</b> Rings	1 ring per 10cm of pole	

Should any component be missing, please call the Customer Care Department on 0330 005 2233.

### Safety Recommendation

Always use a step ladder when working at height. DO NOT over reach. Always move the step ladder so that you are in a safe working position. DO NOT hold or lean on the pole to support your weight. We recommend you use two people for the installation of larger poles. Take care when using power tools, use of a Residual Current Device (RCD) is recommended. Always use eye protection when drilling. Beware of hidden pipe runs and cables. No liability will be accepted for damage or injury caused by incorrectly installed or assembled product. **PLEASE KEEP OUT OF THE REACH OF YOUNG CHILDREN. SMALL PARTS ARE A CHOKING HAZARD. PLEASE KEEP THESE INSTRUCTIONS AND THE BATCH CODE ON THE PACKAGING FOR FUTURE REFERENCE.**

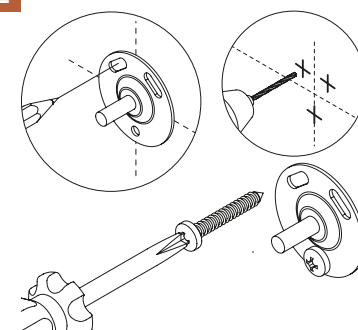
### 1 Installing the pole



Mark a light horizontal line 10cm to 20cm above the window to represent where your pole is going to sit. On your line, mark the end bracket positions 10cm from each side of the window. Mark the centre bracket at the mid-point of the window if necessary.

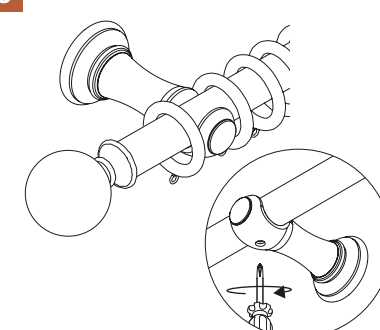
Note: The centre bracket is only required for poles longer than 180cm where two poles are joined together.

### 2



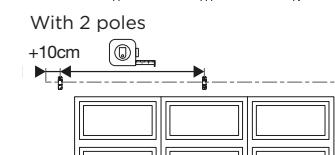
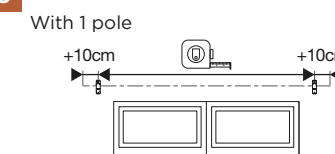
On your horizontal line mark the bracket positions using the back plate as a guide. Drill the holes and secure the back plate with the appropriate fixings, if unsure consult your local DIY store.

### 5



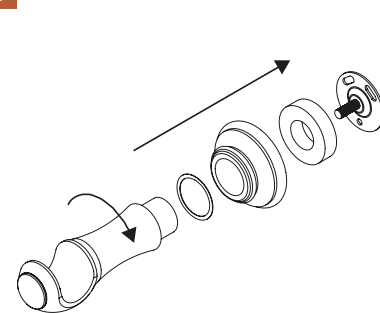
Place the pole on the brackets with the last ring on each side between the finial and end bracket. Finish by tightening the screws to ensure your pole is secure.

### 6 Cutting or joining the pole



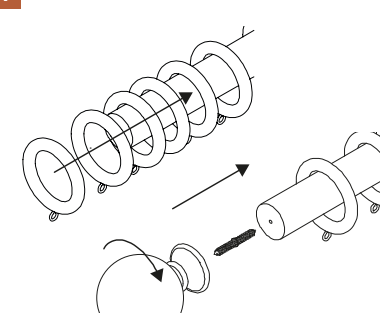
Measure the poles as shown above. If you have two poles, repeat the measurement on both sides of the window. Poles can be cut down to shorten their length. Both poles should be of equal length so that they meet in the centre.

### 3



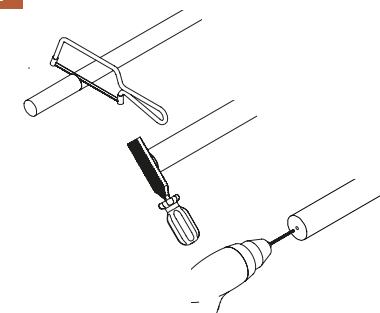
Assemble the brackets onto the back plates and secure by turning the bracket body clockwise until it is tight. Ensure that the cup is upright on completion of tightening.

### 4



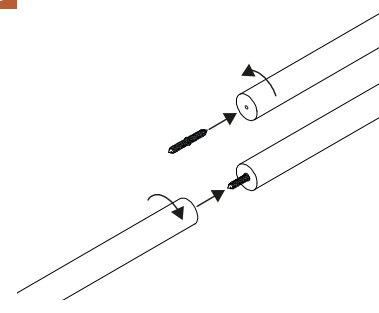
Slide the rings on to the pole. Secure the finial on to the end of the pole by tightening it in place.

### 7



If cutting down, when you are certain your measurements are correct, mark the pole and cut. Wrap masking tape around the pole to avoid damage. File any sharp edges and drill a small hole in the centre of the pole.

### 8



If joining 2 poles together, use the joining screw provided. The poles must be joined in the centre and supported by the centre bracket.

### Also available from Forever Autumn...

Apple Crumble



Spiced Pumpkin



Brandy Snap



Hot Cocoa



Cinder Toffee



Mulled Wine



### Also available from Swish...

From wooden poles to aluminium track and our award winning cordless blinds, there is a solution from Swish.

- Soho
- Romantica
- Naturals
- Design Studio
- Elements
- Cordless Roller Blinds
- Cordless Cellular Blinds
- Cordless Venetian Blinds
- Tiebacks
- Track

Explore our ranges in full on our website and social media platforms.

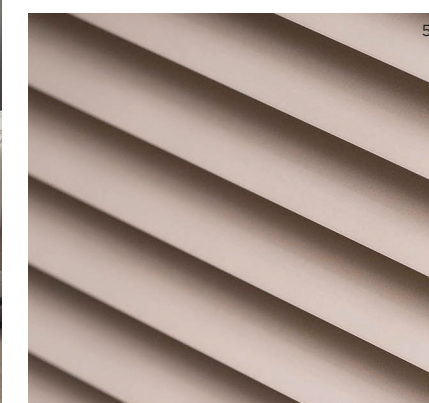
[www.swish.co.uk](http://www.swish.co.uk)

[facebook.com/swish\\_UK](https://www.facebook.com/swish_UK)

[swish\\_UK](https://www.pinterest.com/swish_UK)

[@OfficialSwish\\_UK](https://www.instagram.com/OfficialSwish_UK)

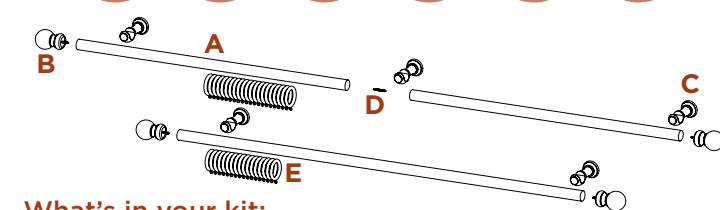
1. Swish Elements pole Kits in Belgravia and Stud in Satin Steel
2. Swish Cordless roller blind in Almond Milk
3. Swish Cordless roller blind in Taupe
4. Swish Tangiers Tiebacks in Black, Beige, Mocha and Putty
5. Swish Cordless Venetian blind in Cocoa Butter



## Fitting Instructions

Before you start, please read these instructions carefully and check the contents of your pack. Please ensure your pole is the right size, ideally, the poles should be 40cm longer than the length of your window, 20cm longer on each side.

### What you'll need:



### What's in your kit:

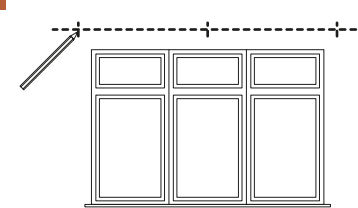
	Up to 180cm	Over 180cm
<b>A</b> Pole	1	2
<b>B</b> Finials	2	2
<b>C</b> Brackets	2	3
<b>D</b> Joining Screw	0	1
<b>E</b> Rings	1 ring per 10cm of pole	

Should any component be missing, please call the Customer Care Department on 0330 005 2233.

### Safety Recommendation

Always use a step ladder when working at height. DO NOT over reach. Always move the step ladder so that you are in a safe working position. DO NOT hold or lean on the pole to support your weight. We recommend you use two people for the installation of larger poles. Take care when using power tools, use of a Residual Current Device (RCD) is recommended. Always use eye protection when drilling. Beware of hidden pipe runs and cables. No liability will be accepted for damage or injury caused by incorrectly installed or assembled product. **PLEASE KEEP OUT OF THE REACH OF YOUNG CHILDREN. SMALL PARTS ARE A CHOKING HAZARD. PLEASE KEEP THESE INSTRUCTIONS AND THE BATCH CODE ON THE PACKAGING FOR FUTURE REFERENCE.**

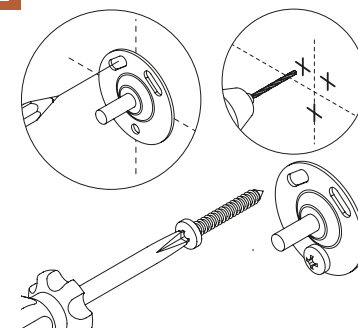
### 1 Installing the pole



Mark a light horizontal line 10cm to 20cm above the window to represent where your pole is going to sit. On your line, mark the end bracket positions 10cm from each side of the window. Mark the centre bracket at the mid-point of the window if necessary.

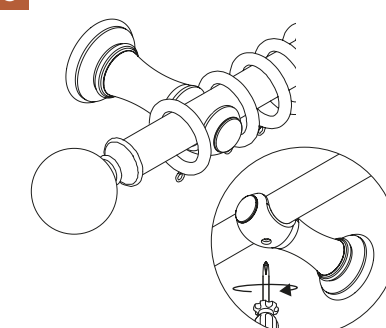
Note: The centre bracket is only required for poles longer than 180cm where two poles are joined together.

### 2



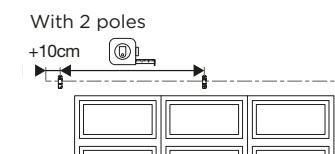
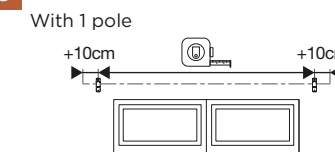
On your horizontal line mark the bracket positions using the back plate as a guide. Drill the holes and secure the back plate with the appropriate fixings, if unsure consult your local DIY store.

### 5



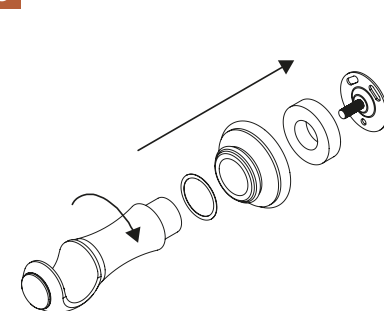
Place the pole on the brackets with the last ring on each side between the finial and end bracket. Finish by tightening the screws to ensure your pole is secure.

### 6 Cutting or joining the pole



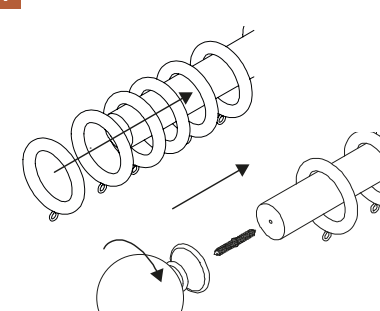
Measure the poles as shown above. If you have two poles, repeat the measurement on both sides of the window. Poles can be cut down to shorten their length. Both poles should be of equal length so that they meet in the centre.

### 3



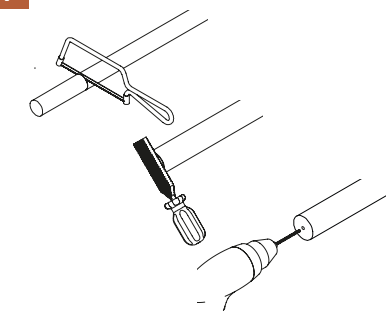
Assemble the brackets onto the back plates and secure by turning the bracket body clockwise until it is tight. Ensure that the cup is upright on completion of tightening.

### 4



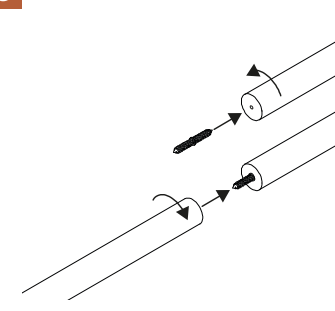
Slide the rings on to the pole. Secure the finial on to the end of the pole by tightening it in place.

### 7



If cutting down, when you are certain your measurements are correct, mark the pole and cut. Wrap masking tape around the pole to avoid damage. File any sharp edges and drill a small hole in the centre of the pole.

### 8



If joining 2 poles together, use the joining screw provided. The poles must be joined in the centre and supported by the centre bracket.

### Also available from Forever Autumn...

Apple Crumble



Spiced Pumpkin



Brandy Snap



Hot Cocoa



Cinder Toffee



Mulled Wine



### Also available from Swish...

From wooden poles to aluminium track and our award winning cordless blinds, there is a solution from Swish.

- Soho
- Romantica
- Naturals
- Design Studio
- Elements
- Cordless Roller Blinds
- Cordless Cellular Blinds
- Cordless Venetian Blinds
- Tiebacks
- Track

Explore our ranges in full on our website and social media platforms.

[www.swish.co.uk](http://www.swish.co.uk)

[facebook.com/swish\\_UK](https://www.facebook.com/swish_UK)

[swish\\_UK](https://www.pinterest.com/swish_UK)

[@OfficialSwish\\_UK](https://www.instagram.com/OfficialSwish_UK)

1. Swish Elements pole Kits in Belgravia and Stud in Satin Steel
2. Swish Cordless roller blind in Almond Milk
3. Swish Cordless roller blind in Taupe
4. Swish Tangiers Tiebacks in Black, Beige, Mocha and Putty
5. Swish Cordless Venetian blind in Cocoa Butter

