

PRINT COLOUR				
	CYAN C100 M0 Y0 K0	MAGENTA C0 M100 Y0 K0	YELLOW C0 M0 Y100 K0	BLACK C0 M0 Y0 K100
CHECKING COLOUR				
	PANTONE® Warm Gray 2 CP C8 M7 Y10 K11	PANTONE® Warm Gray 3 CP C9 M11 Y13 K20	PANTONE® Warm Gray 7 CP C16 M23 Y23 K44	

PRODUCT	Rev.
ROMANTICA INSTRUCTION LEAFLET	3
APPROVAL (SIGN AND DATE)	

CUSTOMER	SWISH
L CODE	7568L-ROM-01
DIMENSIONS	720(120x6)X170MM

DO NOT PRINT REFERENCE ONLY

CUT LINE: \_\_\_\_\_

FOLD LINE: \_\_\_\_\_



## Romantica

### Romantica the collection...

There are many diverse ways to create a relaxing, warm and elegant living space. Achieving a calming retreat at home is effortless with the gentle painted wood poles in softly toned neutral colours. This beautifully styled palette radiates romanticism with hints of modernity, perfect for today's softer, calmer and more relaxed interior design styles.

The soft tactility of wood emphasises the restful tones from quiet Cobblestone to delicate Paper White. These unspoiled shades and their undeniable timeless appeal are equally comfortable in homes both old and new. The subtle colour undertones moving flawlessly through the neutral shades of grey are the perfect partner to your home wallcovering and fabric decor choices.

Wherever this style is used, Romantica enhances refinement and captivates with its confident charm.



Swish®

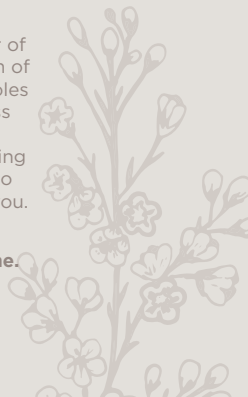
We are proud of our heritage and the resulting reassurance our customers feel when they buy a Swish product. Our strong foundations built on a solid reputation for quality and innovation are as important now as they've always been. Every Swish product is designed for how we live and how today's homes reflect who we are.

Here at Swish, we understand the challenges of window styling and the part it plays within your interior design. Our experience brings knowledge and when married with our

talented team of designers, that's when you achieve the product portfolios that you have come to expect from us.

Whatever your style, from the contemporary glamour of Soho to the timeless charm of Romantica, be it curtain poles or track, any of our cordless blinds from award winning venetians to ground-breaking rollers, you're guaranteed to find the right product for you.

**Swish**  
**Every Window. Every Home.**



# Romantica



## Romantica the collection...

There are many diverse ways to create a relaxing, warm and elegant living space. Achieving a calming retreat at home is effortless with the gentle painted wood poles in softly toned neutral colours. This beautifully styled palette radiates romanticism with hints of modernity, perfect for today's softer, calmer and more relaxed interior design styles.

The soft tactility of wood emphasises the restful tones from quiet Cobblestone to delicate Paper White. These unspoiled shades and their undeniable timeless appeal are equally comfortable in homes both old and new. The subtle colour undertones moving flawlessly through the neutral shades of grey are the perfect partner to your home wallcovering and fabric decor choices.

Wherever this style is used, Romantica enhances refinement and captivates with its confident charm.



## Swish

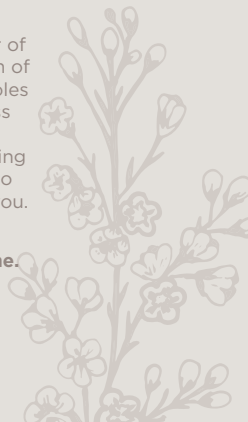
We are proud of our heritage and the resulting reassurance our customers feel when they buy a Swish product. Our strong foundations built on a solid reputation for quality and innovation are as important now as they've always been. Every Swish product is designed for how we live and how today's homes reflect who we are.

Here at Swish, we understand the challenges of window styling and the part it plays within your interior design. Our experience brings knowledge and when married with our

talented team of designers, that's when you achieve the product portfolios that you have come to expect from us.

Whatever your style, from the contemporary glamour of Soho to the timeless charm of Romantica, be it curtain poles or track, any of our cordless blinds from award winning venetians to ground-breaking rollers, you're guaranteed to find the right product for you.

**Swish**  
**Every Window. Every Home.**

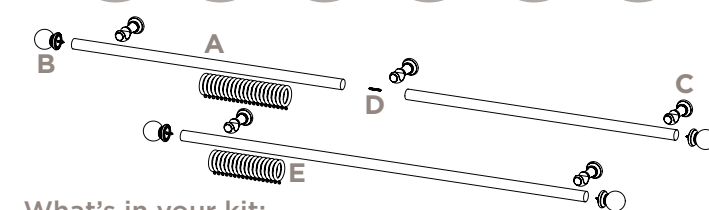




## Fitting Instructions

Before you start, please read these instructions carefully and check the contents of your pack. Please ensure your pole is the right size, ideally, the poles should be 40cm longer than the length of your window, 20cm longer on each side.

### What you'll need:



### What's in your kit:

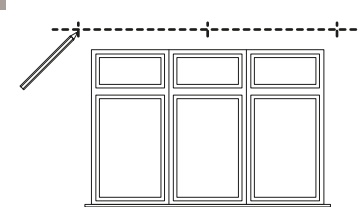
	Up to 180cm	Over 180cm	
A	Pole	1	2
B	Finials	2	2
C	Brackets	2	3
D	Joining Screw	0	1
E	Rings	1 ring per 10cm of pole	

Should any component be missing, please call the Customer Care Department on 0330 005 2233.

### Safety Recommendation

Always use a step ladder when working at height. DO NOT over reach. Always move the step ladder so that you are in a safe working position. DO NOT hold or lean on the pole to support your weight. We recommend you use two people for the installation of larger poles. Take care when using power tools, use of a Residual Current Device (RCD) is recommended. Always use eye protection when drilling. Beware of hidden pipe runs and cables. No liability will be accepted for damage or injury caused by incorrectly installed or assembled product. **PLEASE KEEP OUT OF THE REACH OF YOUNG CHILDREN. SMALL PARTS ARE A CHOKING HAZARD. PLEASE KEEP THESE INSTRUCTIONS AND THE BATCH CODE ON THE PACKAGING FOR FUTURE REFERENCE.**

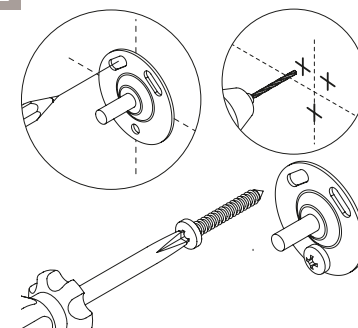
### 1 Installing the pole



Mark a light horizontal line 10cm to 20cm above the window to represent where your pole is going to sit. On your line, mark the end bracket positions 10cm from each side of the window. Mark the centre bracket at the mid-point of the window if necessary.

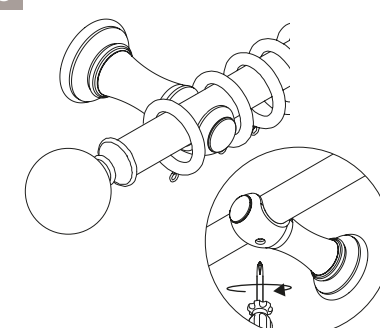
Note: The centre bracket is only required for poles longer than 180cm where two poles are joined together.

2



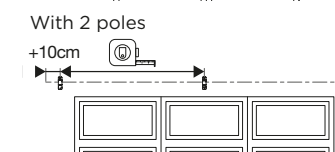
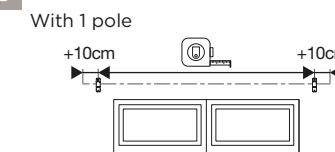
On your horizontal line mark the bracket positions using the back plate as a guide. Drill the holes and secure the back plate with the appropriate fixings, if unsure consult your local DIY store.

5



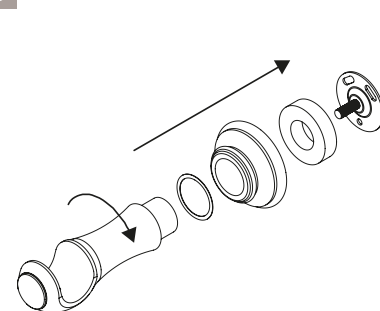
Place the pole on the brackets with the last ring on each side between the finial and end bracket. Finish by tightening the screws to ensure your pole is secure.

### 6 Cutting or joining the pole



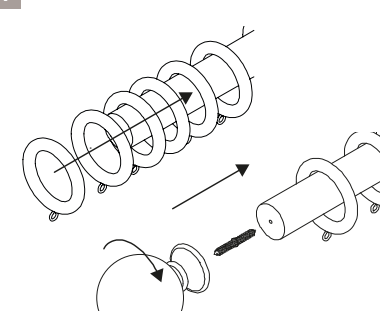
Measure the poles as shown above. If you have two poles, repeat the measurement on both sides of the window. Poles can be cut down to shorten their length. Both poles should be of equal length so that they meet in the centre.

3



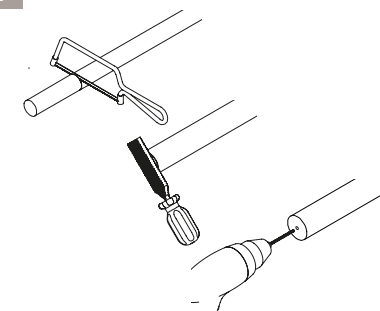
Assemble the brackets onto the back plates and secure by turning the bracket body clockwise until it is tight. Ensure that the cup is upright on completion of tightening.

4



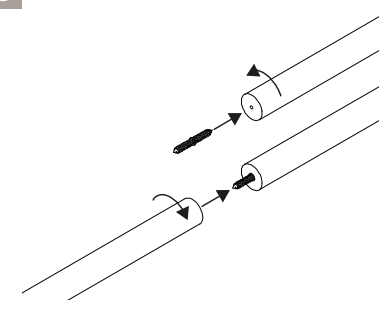
Slide the rings on to the pole. Secure the finial on to the end of the pole by tightening it in place.

7



If cutting down, when you are certain your measurements are correct, mark the pole and cut. Wrap masking tape around the pole to avoid damage. File any sharp edges and drill a small hole in the centre of the pole.

8



If joining 2 poles together, use the joining screw provided. The poles must be joined in the centre and supported by the centre bracket.

### Also available from Romantica...

Paper White



Panna Cotta



April Cloud



Pebble



Smoke



Cobble Stone



### Also available from Swish...

From wooden poles to aluminium track and our award winning cordless blinds, there is a solution from Swish.

- Soho
- Forever Autumn
- Naturals
- Design Studio
- Elements
- Cordless Roller Blinds
- Cordless Cellular Blinds
- Cordless Venetian Blinds
- Tiebacks
- Track

Explore our ranges in full on our website and social media platforms.

[www.swish.co.uk](http://www.swish.co.uk)

[facebook.com/swish\\_UK](https://facebook.com/swish_UK)

[swish\\_UK](https://pinterest.com/swish_UK)

[@OfficialSwish\\_UK](https://instagram.com/OfficialSwish_UK)

1. Swish Cordless Roller blind in Slate
2. Swish Cordless Venetian blind in Cocoa Butter
3. Swish Design Studio Entwine in Chrome
4. Swish Design Studio Blossomtime in Chrome
5. Swish Cordless Cellular blind in Snow Flurry

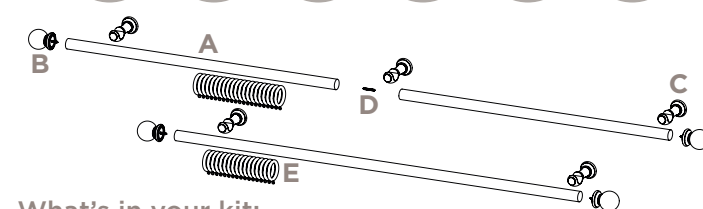


Swish

## Fitting Instructions

Before you start, please read these instructions carefully and check the contents of your pack. Please ensure your pole is the right size, ideally, the poles should be 40cm longer than the length of your window, 20cm longer on each side.

### What you'll need:



### What's in your kit:

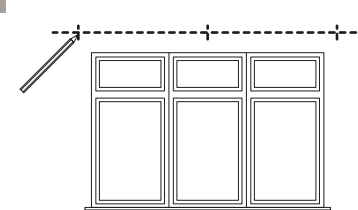
	Up to 180cm	Over 180cm	
A	Pole	1	2
B	Finials	2	2
C	Brackets	2	3
D	Joining Screw	0	1
E	Rings	1 ring per 10cm of pole	

Should any component be missing, please call the Customer Care Department on 0330 005 2233.

### Safety Recommendation

Always use a step ladder when working at height. DO NOT over reach. Always move the step ladder so that you are in a safe working position. DO NOT hold or lean on the pole to support your weight. We recommend you use two people for the installation of larger poles. Take care when using power tools, use of a Residual Current Device (RCD) is recommended. Always use eye protection when drilling. Beware of hidden pipe runs and cables. No liability will be accepted for damage or injury caused by incorrectly installed or assembled product. **PLEASE KEEP OUT OF THE REACH OF YOUNG CHILDREN. SMALL PARTS ARE A CHOKING HAZARD. PLEASE KEEP THESE INSTRUCTIONS AND THE BATCH CODE ON THE PACKAGING FOR FUTURE REFERENCE.**

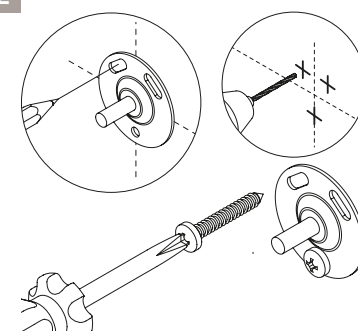
### 1 Installing the pole



Mark a light horizontal line 10cm to 20cm above the window to represent where your pole is going to sit. On your line, mark the end bracket positions 10cm from each side of the window. Mark the centre bracket at the mid-point of the window if necessary.

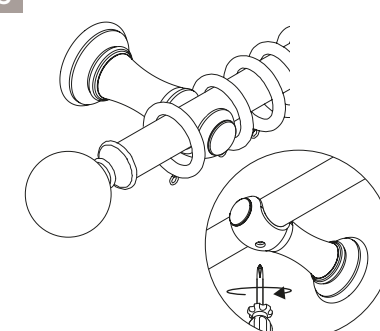
Note: The centre bracket is only required for poles longer than 180cm where two poles are joined together.

### 2



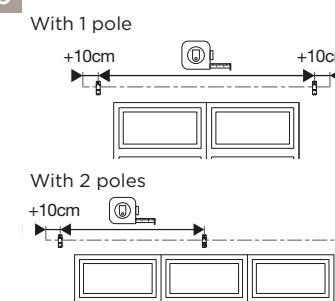
On your horizontal line mark the bracket positions using the back plate as a guide. Drill the holes and secure the back plate with the appropriate fixings, if unsure consult your local DIY store.

### 5



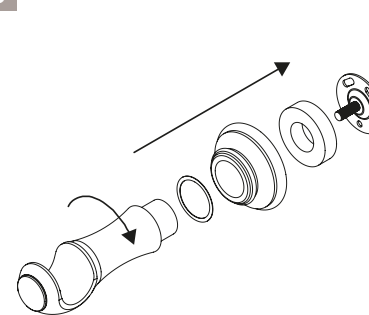
Place the pole on the brackets with the last ring on each side between the finial and end bracket. Finish by tightening the screws to ensure your pole is secure.

### 6 Cutting or joining the pole



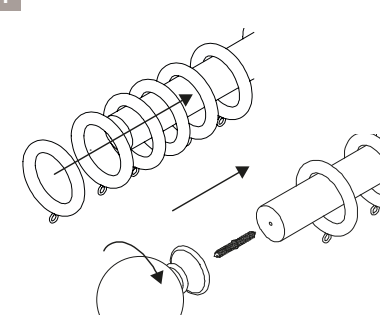
Measure the poles as shown above. If you have two poles, repeat the measurement on both sides of the window. Poles can be cut down to shorten their length. Both poles should be of equal length so that they meet in the centre.

### 3



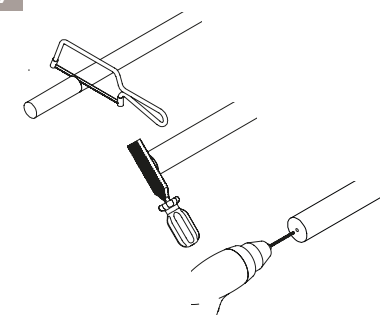
Assemble the brackets onto the back plates and secure by turning the bracket body clockwise until it is tight. Ensure that the cup is upright on completion of tightening.

### 4



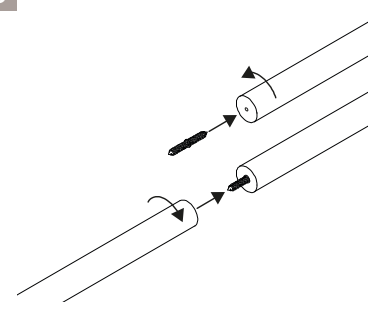
Slide the rings on to the pole. Secure the finial on to the end of the pole by tightening it in place.

### 7



If cutting down, when you are certain your measurements are correct, mark the pole and cut. Wrap masking tape around the pole to avoid damage. File any sharp edges and drill a small hole in the centre of the pole.

### 8



If joining 2 poles together, use the joining screw provided. The poles must be joined in the centre and supported by the centre bracket.

### Also available from Romantica...

Paper White



Panna Cotta



April Cloud



Pebble



Smoke



Cobble Stone



### Also available from Swish...

From wooden poles to aluminium track and our award winning cordless blinds, there is a solution from Swish.

- Soho
- Forever Autumn
- Naturals
- Design Studio
- Elements
- Cordless Roller Blinds
- Cordless Cellular Blinds
- Cordless Venetian Blinds
- Tiebacks
- Track

Explore our ranges in full on our website and social media platforms.

[www.swish.co.uk](http://www.swish.co.uk)

[facebook.com/swish\\_UK](https://facebook.com/swish_UK)

[swish\\_UK](https://pinterest.com/swish_UK)

[@OfficialSwish\\_UK](https://instagram.com/OfficialSwish_UK)

1. Swish Cordless Roller blind in Slate
2. Swish Cordless Venetian blind in Cocoa Butter
3. Swish Design Studio Entwine in Chrome
4. Swish Design Studio Blossomtime in Chrome
5. Swish Cordless Cellular blind in Snow Flurry



Swish

